

# OWNER'S MANUAL



Use and Maintenance Instructions

## ***MODEL 110, 120, & CUSTOM MADE MODELS***



---

### **IMPORTANT: READ CAREFULLY BEFORE INSTALLATION AND USE**

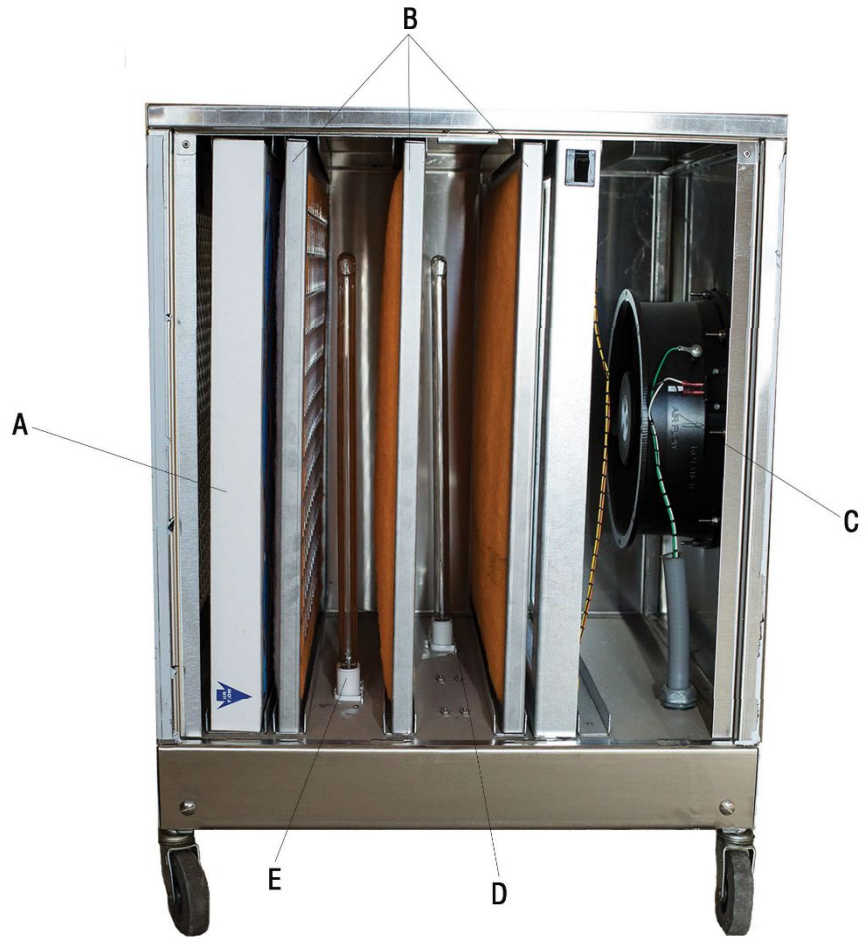
**WARNING:** To reduce the risk of fire, electric shock, and/or injury, please follow the instructions.

**CAUTION:** Do not operate any fan with a damaged cord or plug. Discard fan or return to an authorized service facility for examination and/or repair. Do not run cord under carpeting. Do not cover cord with throw rugs, runners, or similar coverings. Do not route cord under furniture or appliances. Arrange cord away from traffic area and where it will not be tripped over.

If you have any questions or concerns, call Customer Service at (405) 820-3762

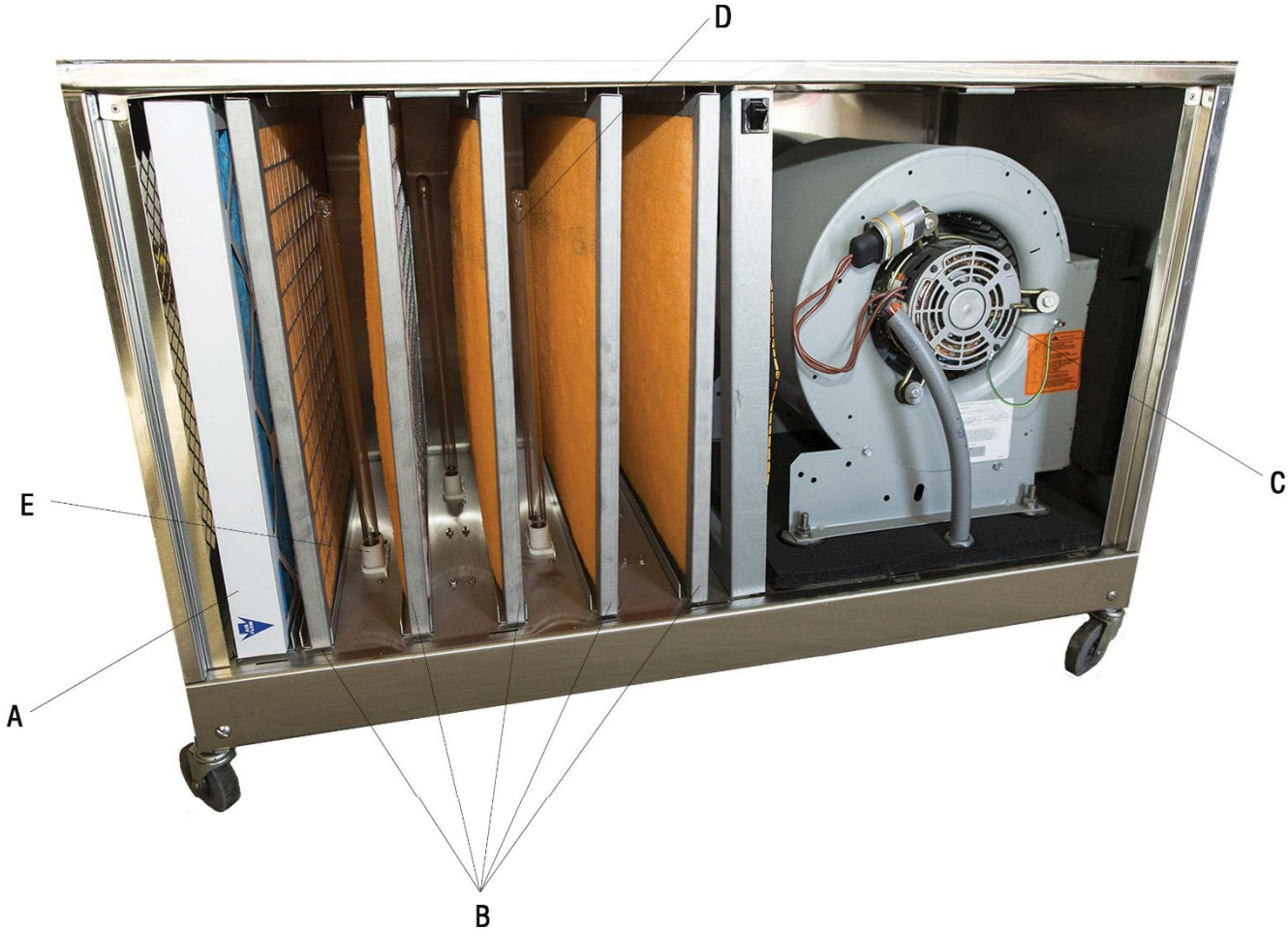
# MODEL 120 - PARTS

- A. Air Filter
- B. Air Reactors
- C. Motor
- D. UV-2C Bulb
- E. UV-2C Bulb Socket
- F. Switch
- G. Power



# MODEL 110 - PARTS

- A. Air Filter
- B. Air Reactors
- C. Motor
- D. UV-2C Bulb
- E. UV-2C Bulb Socket



# IMPORTANT SAFETY INSTRUCTIONS

## READ AND SAVE THESE INSTRUCTIONS

---

### WARNING:

Read instructions carefully before using machine

---

1. Unplug electrical device or ensure power is cut off before performing any maintenance work.
  2. Eye protection must be worn. UVC bulbs must be shut off before servicing machine. **NEVER LOOK DIRECTLY INTO LIGHT BULBS.**
  3. **CAUTION:** Do not run machine around chlorine, fluorine or bleach fumes. In the presence of this fumes, the Air Reactor can produce hydrochloric or other acids that can be harmful to your health.
  4. Use extra care when handling stainless steel machine since edges and corners are very sharp.
- 

### ASSEMBLY INSTRUCTIONS

---



1. Remove the Air Reactor from the shipping box

2. Remove access panel and remove bulbs from packing (if not already installed).

**WARNING: NEVER OPEN ACCESS PANEL OF THE AIR REACTOR WHEN POWER IS ON.**



3. Remove bulbs from packing and install.

**WARNING: DO NOT HOLD ONTO THE GLASS PORTION OF THE BULBS.**

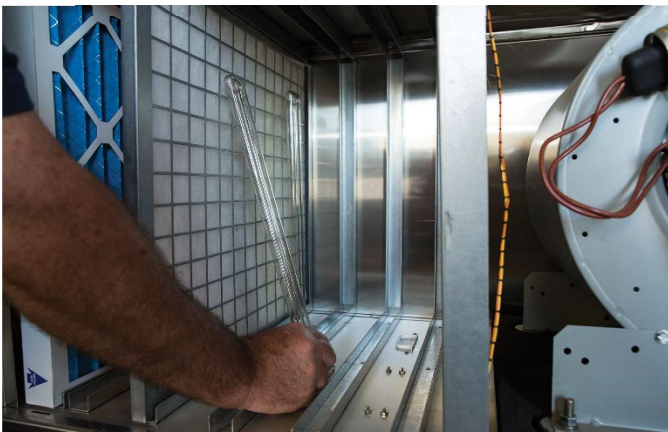
# ASSEMBLY INSTRUCTIONS CONTINUED

---



**INCORRECT**

**HANDLE BULB BY THE BASE ONLY**



4. Install by holding on the base only. Lean bulb over in the direction of the safety latch on the socket, insert the bulb and then straighten bulb as it inserts into the bulb socket.



5. Replace the access panel.
6. Place the air reactor centrally in the area to be treated, plug it in, make sure the power switches are in the up position. All Custom Made models will not have a power switch but instead will be hard wired into the HVAC system.

# MAINTENANCE

---

**IF THE MAINTENANCE RECOMMENDED FOR THE MODELS # 110,120 & CUSTOM MODELS ARE NOT FOLLOWED, THE GUARANTEE & WARRANTY WILL BE VOIDED.**

**WARNING:** Ensure air reactor is unplugged or all power is cut off before opening the unit.

---

## **AIR FILTER:**

Replace air filter every three (3) months or as needed. The air filters can be purchased from Hi Tech Air Solutions or from your local HVAC supplier.

While changing your air filter, use a paper towel with rubbing alcohol and gently wipe the bulbs.

**Note:** The air filter and reactor pads may look the same but they are not. The first one (as the air flows) is the filter. The remaining three (3) are the reactor pads and should be rotated every three (3) Months to extend the life of the reactor pads (SEE PAGE 2).

**WARNING: IF THE AIR FILTER IS NOT REPLACED PERIODICALLY, THE AIR REACTOR PADS COULD BE DAMAGED.**

---

## **REACTOR PADS:**

**WARNING: to avoid skin or eye irritation please use rubber gloves before handling reactor pads. Wash hands, forearms, and exposed areas thoroughly after handling.**

Reactor pads should be replaced every (12) months and must be purchased from Hi Tech Air Solutions.

Rotate the reactor pads a 1/4 turn on the vertical axis every three (3) months to extend the life of the pads.

Replace Reactor pads exactly the same way you removed them. Placing the orange color towards the lamps and the metal support on the reactor pads. Frame must face towards the motor or the back side of the **air flow** direction.

To replace the reactor pads, remove the entire frame with the reactor pad and lay on a flat surface. Remove the pad from the frame by simply grabbing the pad and gently removing it. Place the new pad on top of the frame (in the same direction as the old pad) and gently tucking in the edges all the way around the frame until all edges are securely in place. Replace the new pad and frame into the Air Reactor exactly the same way it was removed. The orange color of the pads must face the UV-Bulbs and the metal support mesh on the frame must face the motor or the Air direction, which will support the pad.



**Parts and Replacement are available at Hi Tech Air Solutions**

***rayr@hitechairsolutions.com***

# **MAINTENANCE CONTINUED**

---

**CAUTION:** Do not wash reactor pad. Water will destroy the pad's ability to react with the UVC light and it will have to be replaced.

---

***UVC LAMPS:***

UVC bulbs should be cleaned regularly and replaced every (12) months. Bulbs must be purchased from Hi Tech Air Solutions. Clean bulbs with a soft cloth or paper towel dampened with water or rubbing alcohol.

Remove old bulbs by holding onto the base of the bulb and tilting to the side to remove. Replace bulbs by placing into the latch side of the socket plugging in as you straighten and lock the bulb into place (SEE PAGE 5).

---

Return and secure access panel and turn power and/or switches on the unit.

---

**NOTE:** Place the air reactors centrally located in your facility and turn it on.

**IMPORTANT:** If the Air Reactor is used in a constant heavy smoke filled environment, further maintenance is required to prolong the equipment's lifespan. For more information, please contact a regional sales representative.

**WARNING:** If the maintenance recommended for the Air Reactors is not followed, the warranty will be invalid.

**CUSTOMER IS RESPONSIBLE TO MAINTAIN AIR REACTOR**

**Questions: Feel free to call your sales representative**

# **GUARANTEE & WARRANTY**

## **HI TECH AIR SOLUTIONS GUARANTEE**

Hi Tech Air Solutions (“HTAS”) provides a guarantee for 30 days from the time the Air Reactor is delivered. If for any reason the unit is returned to HTAS within 30 days, we reserve the right to charge up to 15% restocking fee on all refunds. All shipping cost is excluded and the customer is responsible for shipping the unit back to HTAS. Upon return, the unit will be examined for any damage (unit must be returned without any damage). If the unit has been tampered with in any way or any damage is notable, the 30 days guarantee is void or null.

## **ONE-YEAR WARRANTY PARTS AND LABOR**

Your Air Reactor products are warranted free from defects in materials and workmanship for 1 year from the original purchase date. Should the product have a defect in material or workmanship, we will repair or replace it without charge to you without any shipping and processing fee. To obtain service under warranty, simply call your Sales Representative.

This warranty does not cover damage caused by accident, misuse or any other than as intended and described in this products manual, or damage resulting from failure to maintain and clean this product as specified in this product manual. This warranty applies only to the original purchaser of the Air Reactor products.

## **PRODUCTS LIMITED WARRANTY**

Hi Tech Air Solutions (“HTAS”) guarantees its products to be free from defective material and /or workmanship and will replace defective parts and repair or replace malfunctioning products (i.e., nonconforming products to the intended use for eliminating pre-identified articles\* in the customer’s location) under this warrantee the defect occurs under normal installation and use provided the unit is returned to our facility, one of our authorized service stations or an authorized HTAS distributor via HTAS pre-paid transportation with a copy of proof of purchase (i.e. sales receipt).

This warranty provides that the examination of the return product must indicate, in our judgment, a manufacturing defect or product not conforming to its intended functions under the normal usage conditions. This warranty does not extend to any product, which has been subjected to misuse, neglect, accident, improper installation, or where the date code has been removed or defaced. HTAS shall not be liable for incidental and/or consequential damages.

This warranty gives you specific legal rights. This limited on HTAS products is NOT VALID if the products have been purchased from an unauthorized dealer/online entity, or if the original factory serial number has been removed, defaced, or replaced in any way. When providing repair or replacement service, HTAS will use reasonable efforts to deliver and reinstall the product or will supervise correct installation of product.



# **GUARANTEE & WARRANTY CONTINUED**

---

Customer may have additional rights, which vary from state to state or from country to country. In the event that a provision of this limited warranty is void, prohibited or superseded by local laws, the remaining provisions shall remain in effect. **THE HTAS LIMITED WARRANTY IS VALID FOR A PERIOD OF FIVE (5) YEARS FROM THE DATE OF PURCHASE IN THE UNITED STATES AND MANY (BUT NOT ALL) OTHER COUNTRIES.**

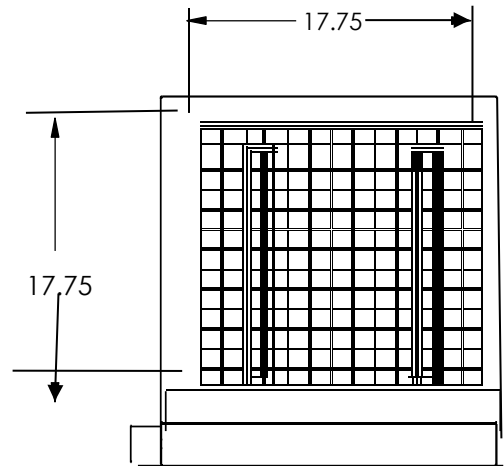
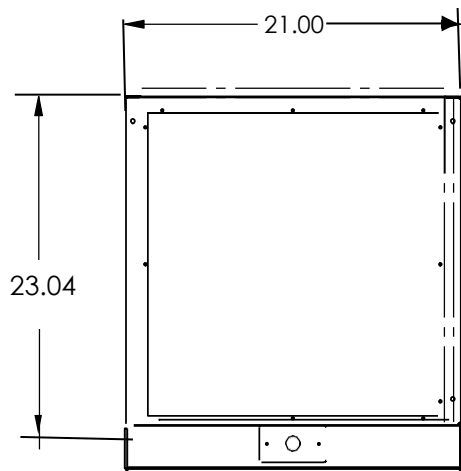
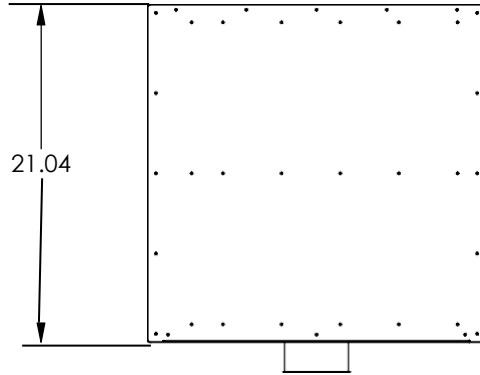
\*Pre-identified articles in the air are those articles, which are selected by the customer at the time of purchase to be eliminated, reduced in number or destroyed by HTAS's products. To this effect, HTAS customers shall complete the list of articles to be cleaned from the air in their facility at the time of the purchase. The list of such articles is provided to customers.

# COMMON RESIDENTIAL CUSTOM UNITS INSTRUCTIONS

- 1.The custom made Air Reactor is engineered and designed to be installed on the line side of the HVAC System or return Air.
- 2.The custom made Air Reactor will have to be retrofitted with duct work to be adapted to the exact size of the return air and HVAC Unit.
- 3.The electrical box (provided) must be wired to the bottom side of the motor relay or plugged into the control board as an accessory so that when the motor for the HVAC is running the Air Reactor is running as well.
- 4.The Light Bulbs (provided) must be installed.
- 5.The Reactor Pads (provided) must be installed with the orange side facing towards a light bulb and the reactor pad supports must be on the down side of the Air flow as to support the Reactor Pad.
- 6.The Air Filter provided with the Air Reactor may be used or the existing HVAC filter can be used however both are not needed.
- 7.In the case that the Air Reactor cannot be installed due to a size issue, an Air Reactor can be manufactured with the exact size; However there will be an additional charge of \$1,000.00.
- 8.The customer is responsible for all installation cost.

If you have any questions, please do not hesitate to contact Ray Robison (CEO) at 405-820-3762.

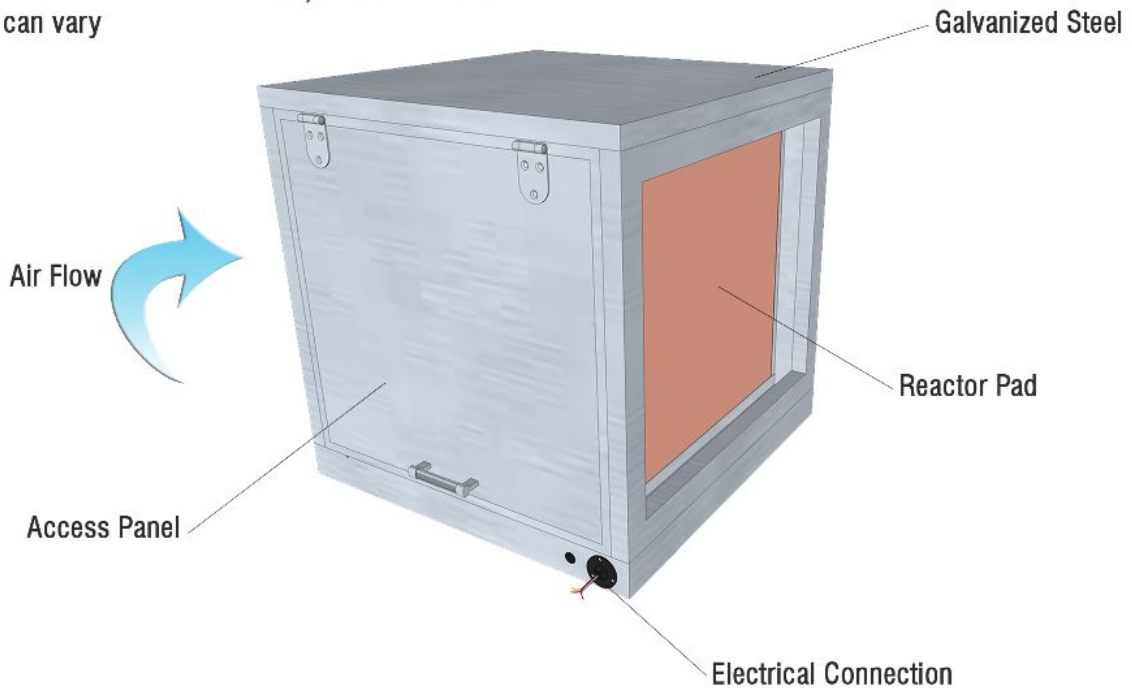
# CUSTOM MADE MODEL DIAGRAM



**PLEASE KEEP YOUR RECEIPT AS PROOF OF PURCHASE!**

**It is required for warranty parts and service**

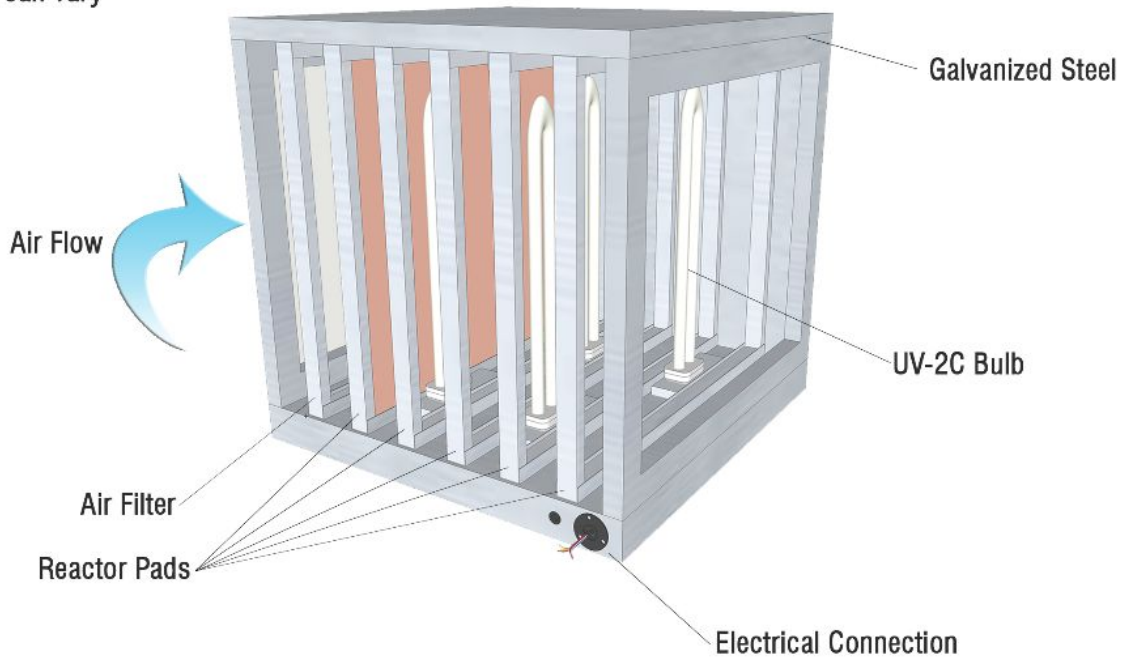
NOTE: 22"x 22" custom model, however model size can vary



## CUSTOM MODEL AIR REACTOR | EXTERIOR VIEW



NOTE: 22"x 22" custom model, however model size can vary



## CUSTOM MODEL AIR REACTOR | INTERIOR VIEW



**THIS PAGE IS INTENTIONALLY LEFT BLANK**



\*\*\*READ INSTRUCTION MANUAL FOR BULB INSTALLATION PRIOR TO OPERATING\*\*\* ONLINE

INSTRUCTIONS AND TUTORIAL VIDEO AVAILABLE AT:

<http://hitechairsolutions.com/>

-AND CLICK THE YOUTUBE ICON-



HOME

ABOUT US

TESTIMONIALS

CONTACT US



-OR-

<https://www.youtube.com/watch?v=OAUByS99WWU>